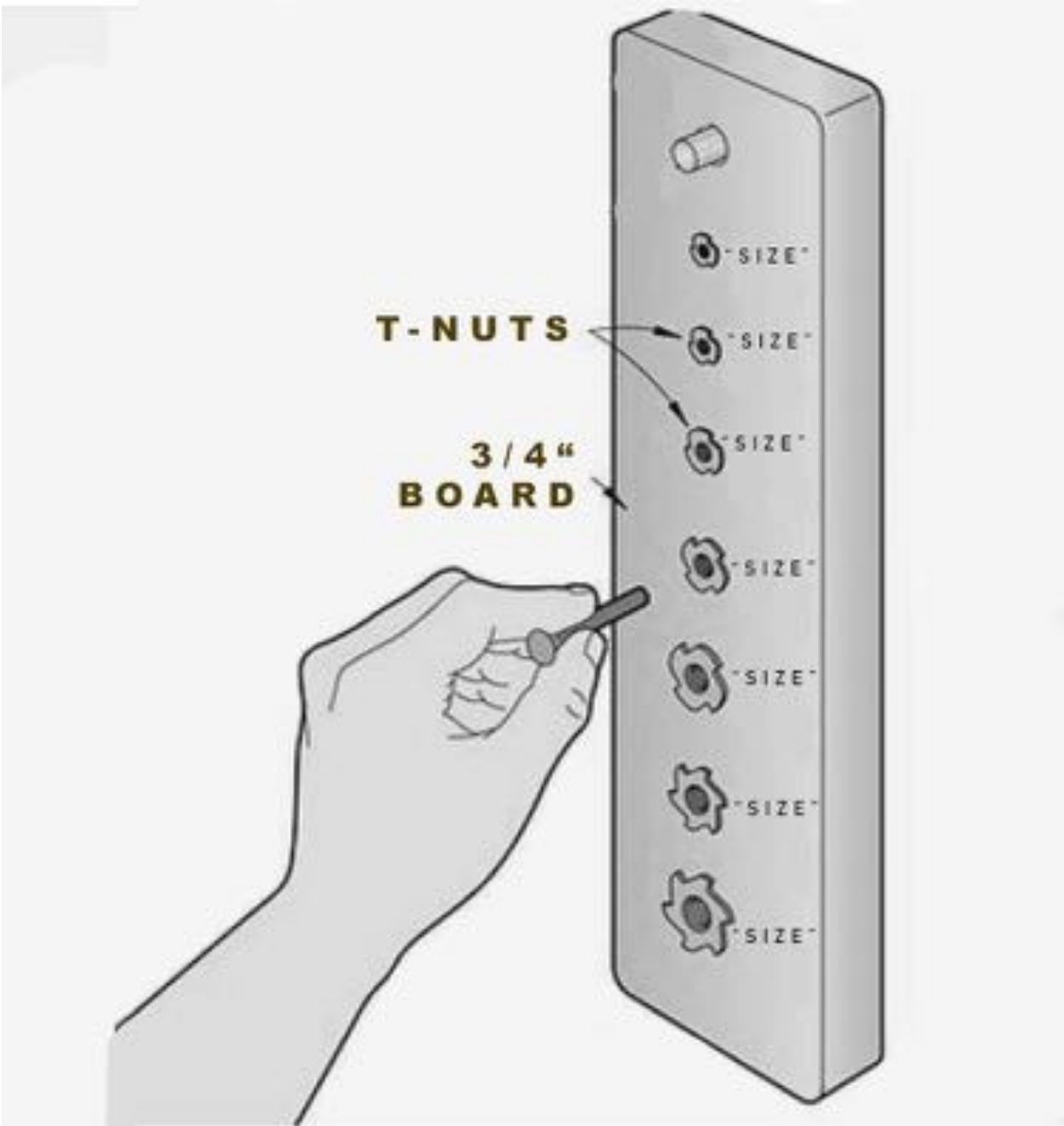


**FREE  
EBOOK**

**30  
AMAZING  
WORKSHIP TIPS  
&  
1 CRAPPY ONE**



**Make yourself a bolt sizing board**

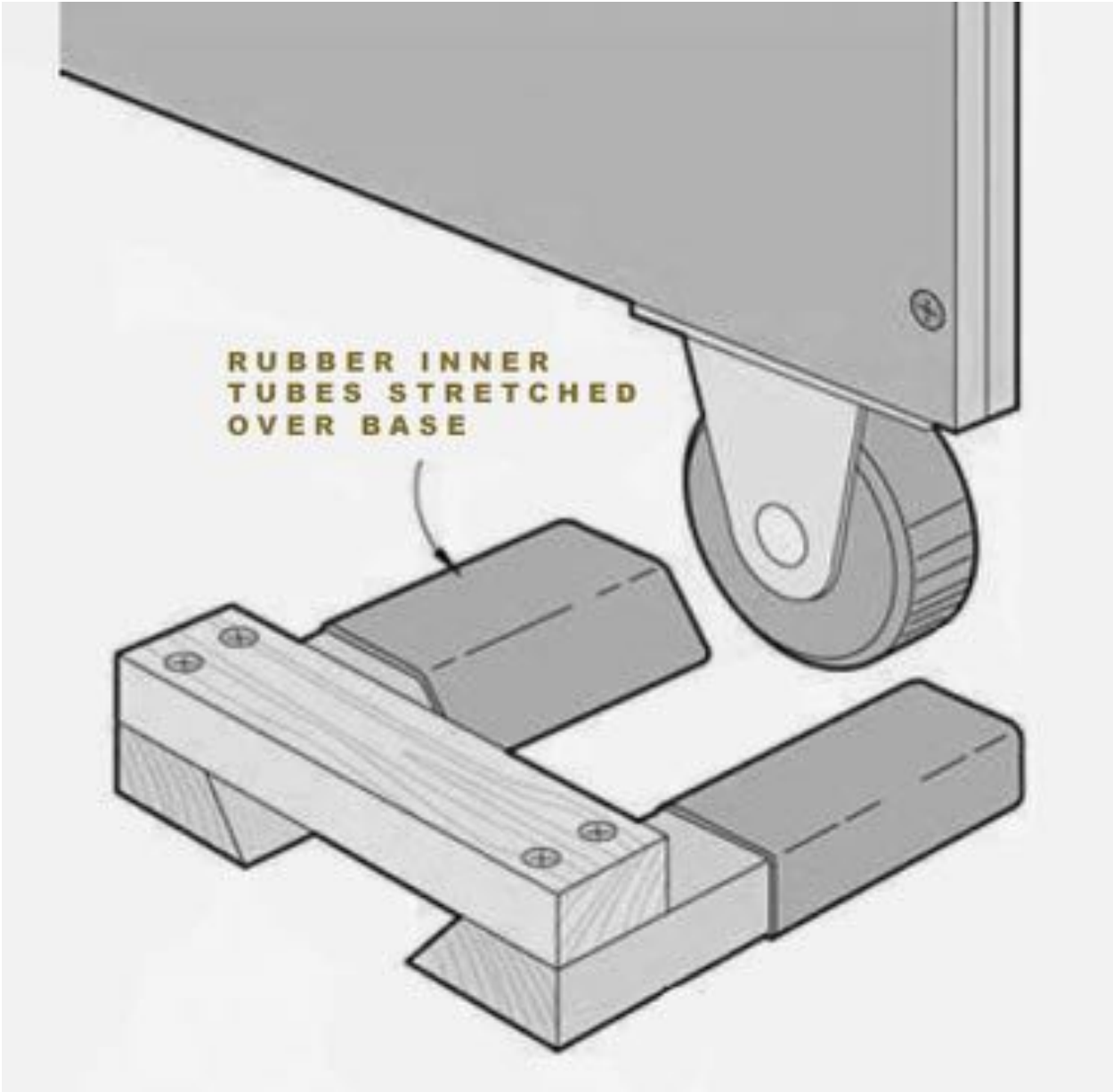


*Buy used tools to fill out your workshop*

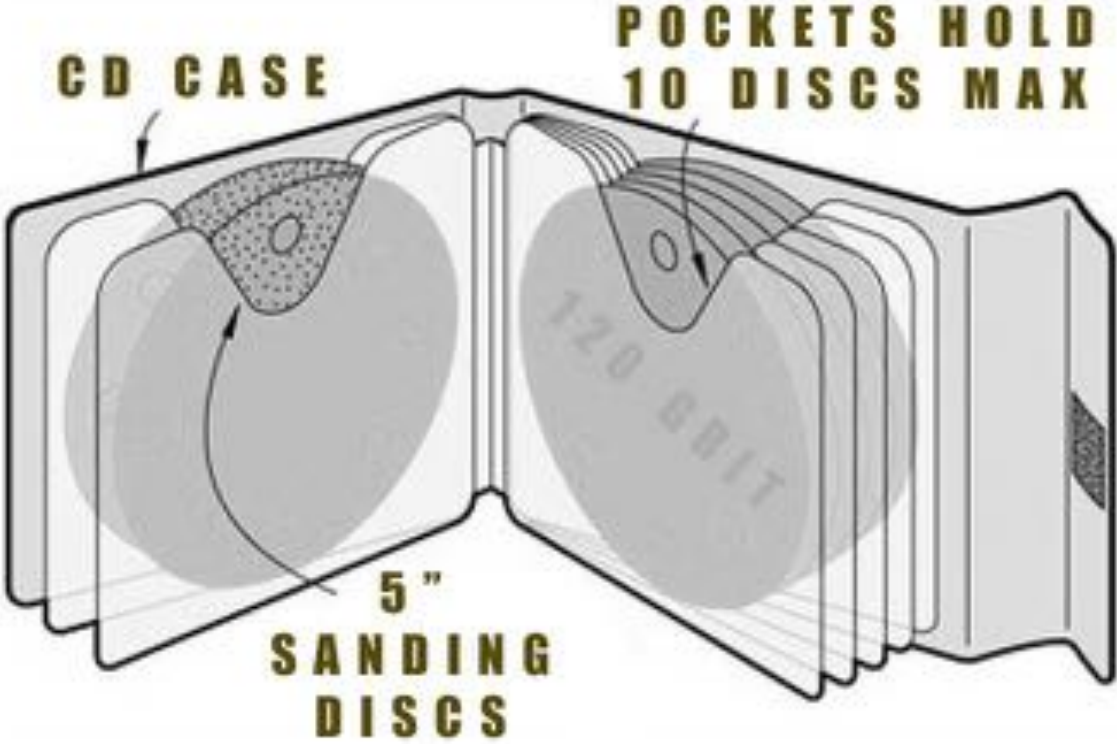


**IF YOU NEED TO FILL OUT YOUR TOOL BOX,  
PURCHASE USED TOOLS. THEY ARE CHEAPER AND  
MAKE YOU LOOK LIKE A BOSS.**

*DIY Cart Stopper*



*Use an old CD case for Sanding Discs*

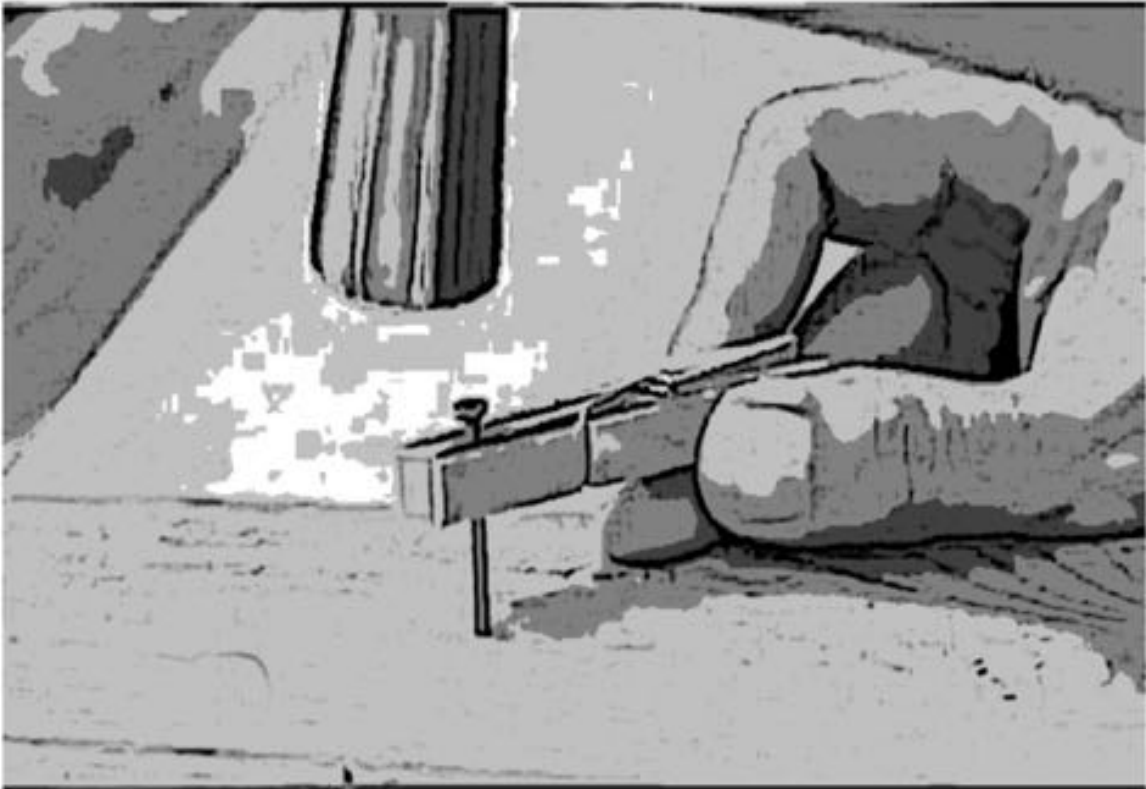


*Quick DIY bag hangers*



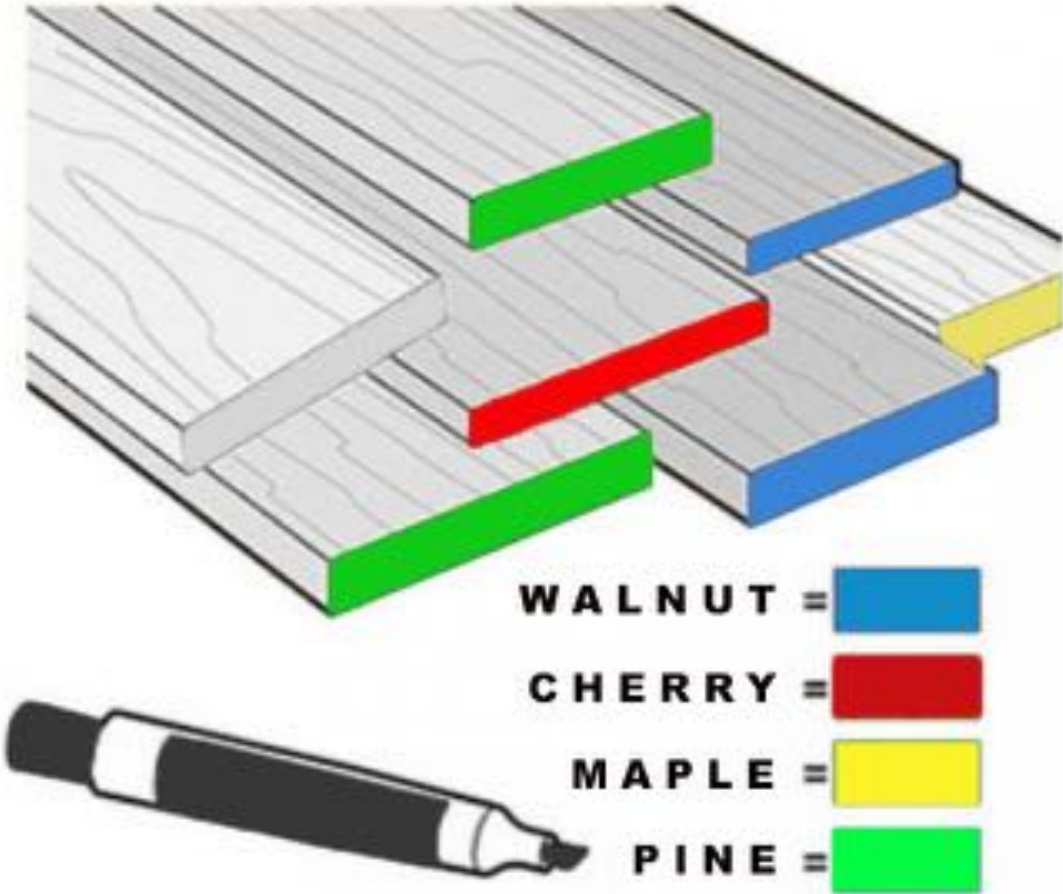
**USE SMALL DOWELS AND HOOKS  
FOR TRASH BAGS.**

*Save your fingers*



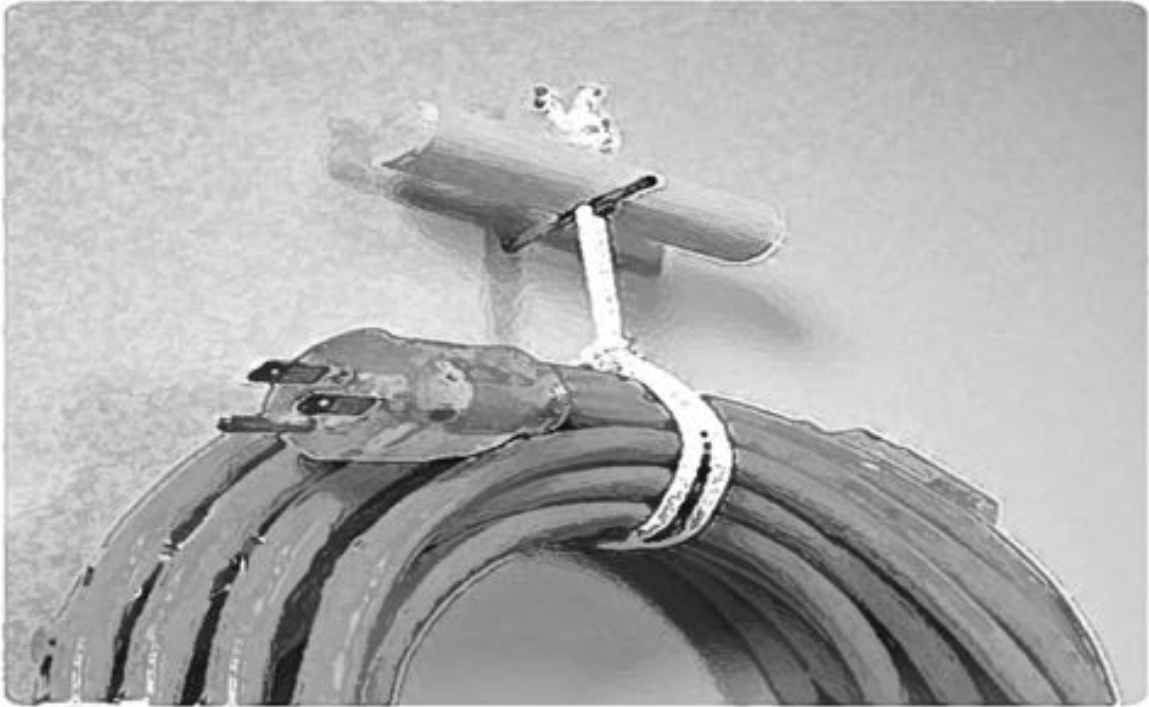
**IF YOUR FINGERS ARE TOO BIG FOR  
SMALL NAILS, USE A CLOTHESPIN**

*Color code your wood to make it easier to spot on the rack*



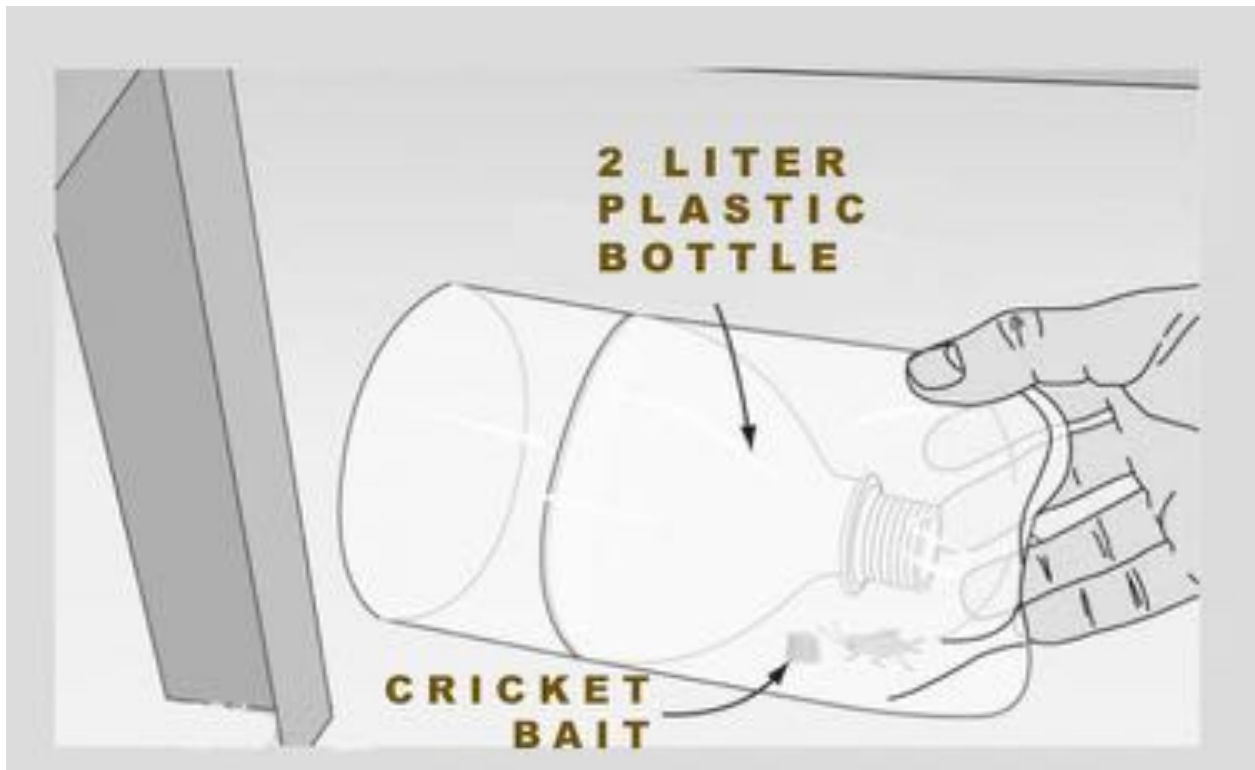


*Hang extension cords on the wall*



**RUN SOME OLD ROPE THROUGH A  
DRILLED HOLE IN A WOODEN  
DOWEL END.**

**Homemade critter catcher**



*A quick and easy way to distress wood.*



**DISTRESS WOOD USING  
GRAVEL**

*Make a DIY holder for misc items*



*Easily screw in hanger hooks*

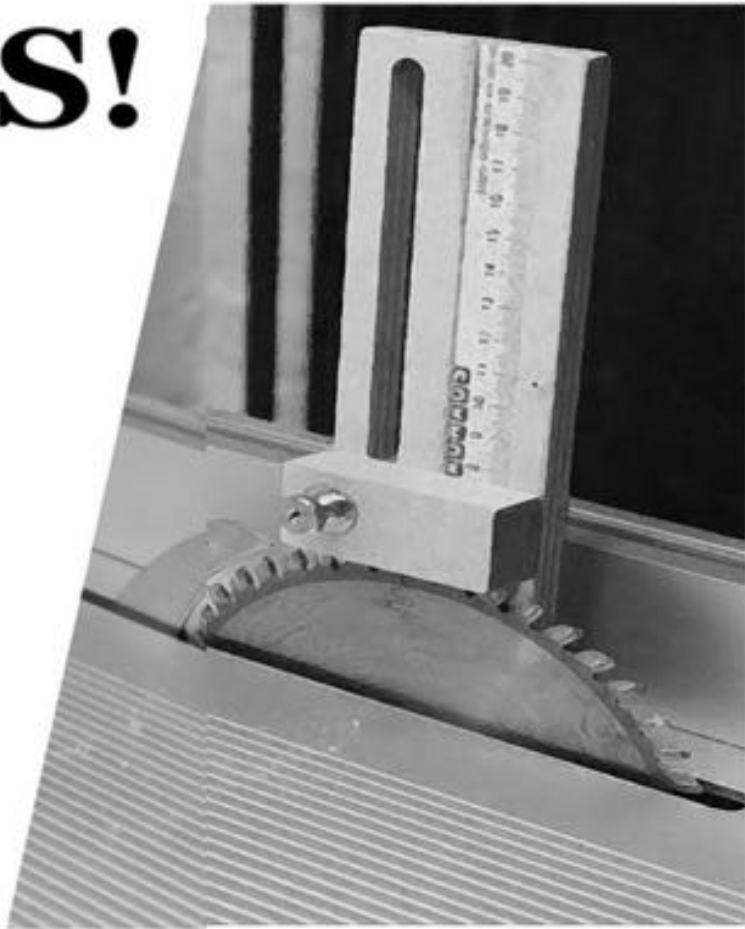


**USE A METAL EYE TO SCREW IN  
HANGER HOOKS REALLY FAST.**

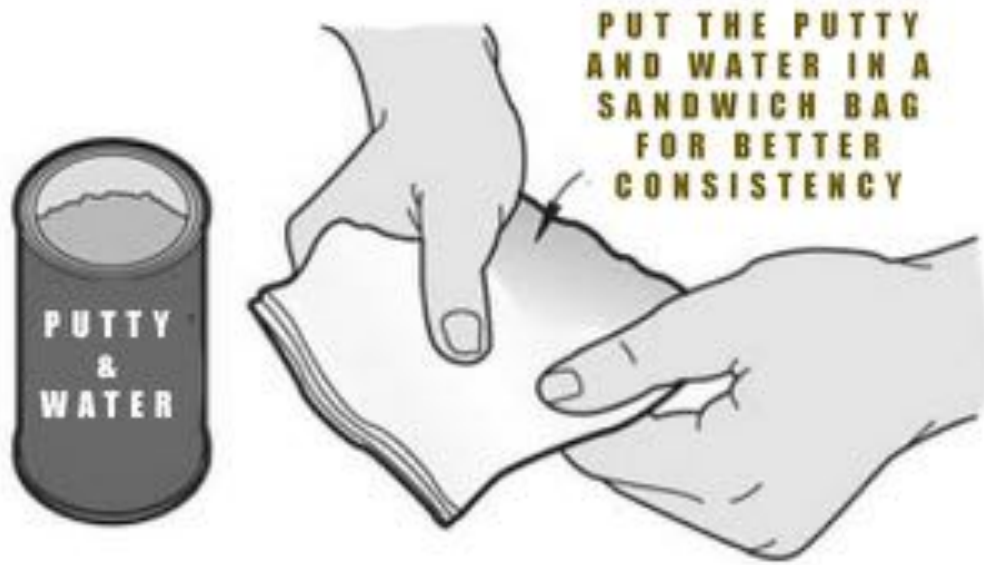
*Make your life easier with a DIY Height and length gauge*

# TIPS!

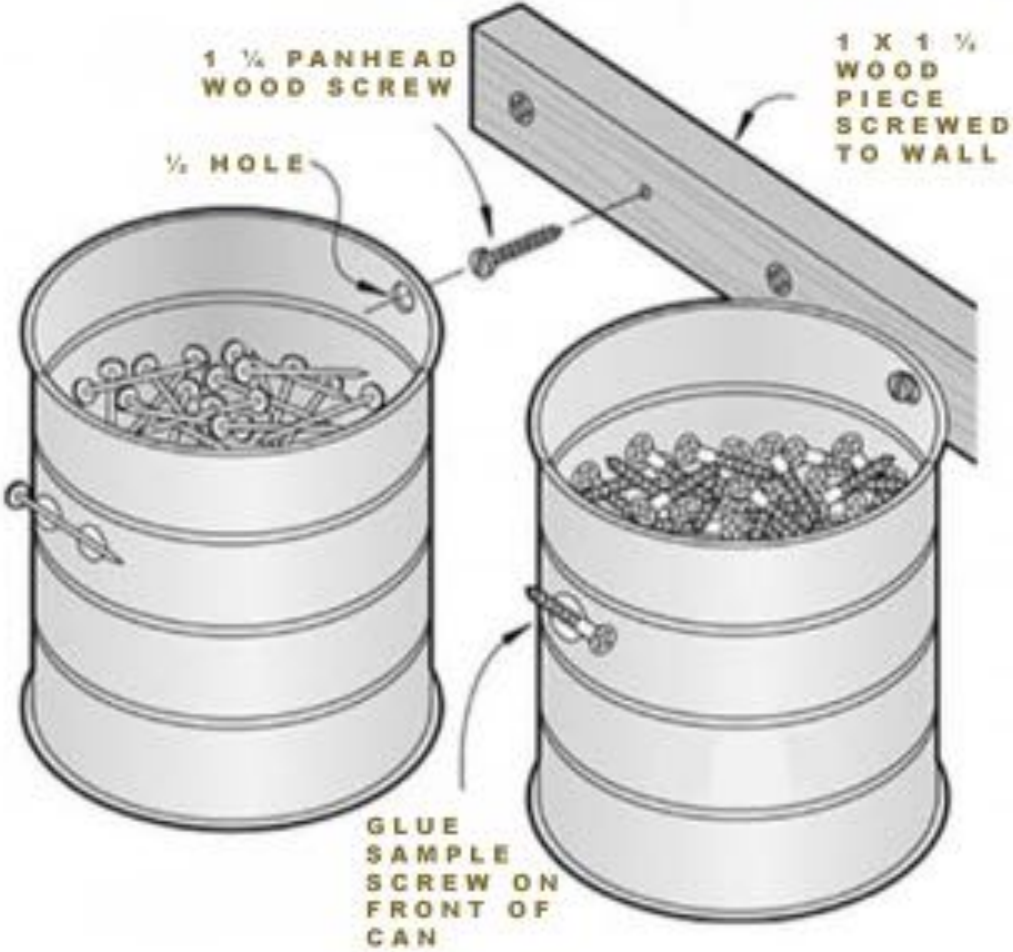
Take the time to make one of these. Height and Length gauge.



*Better/easier way to mix putty*



**Get screw organizers off of the bench**



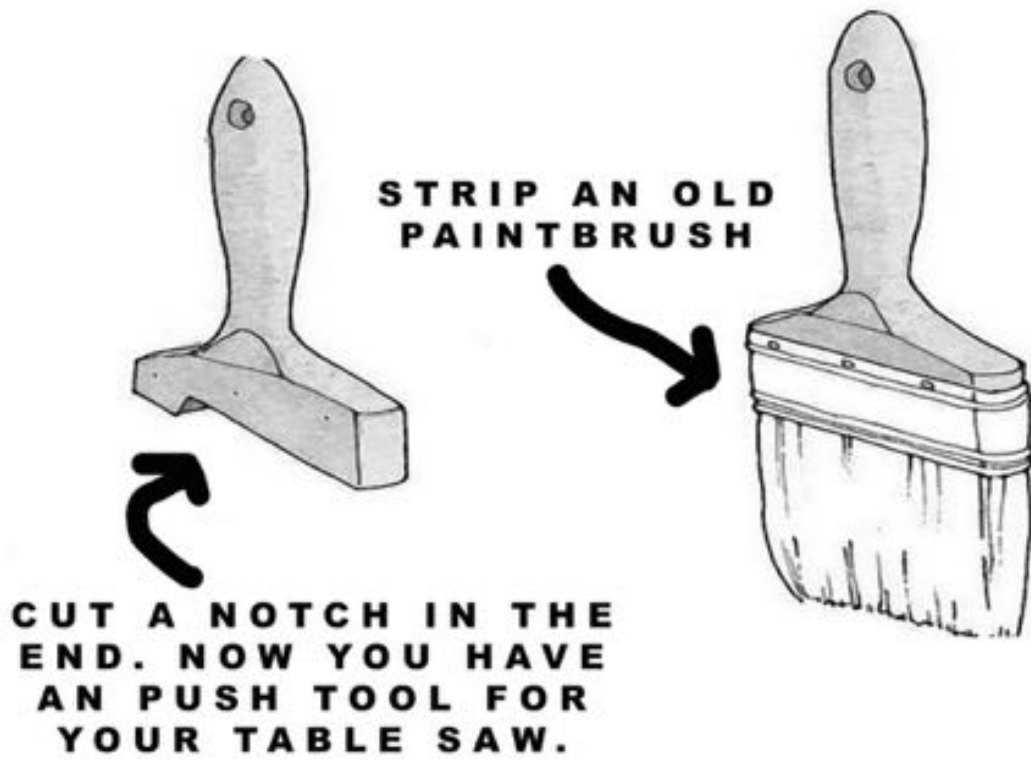


*Use hideaway method for screw storage*

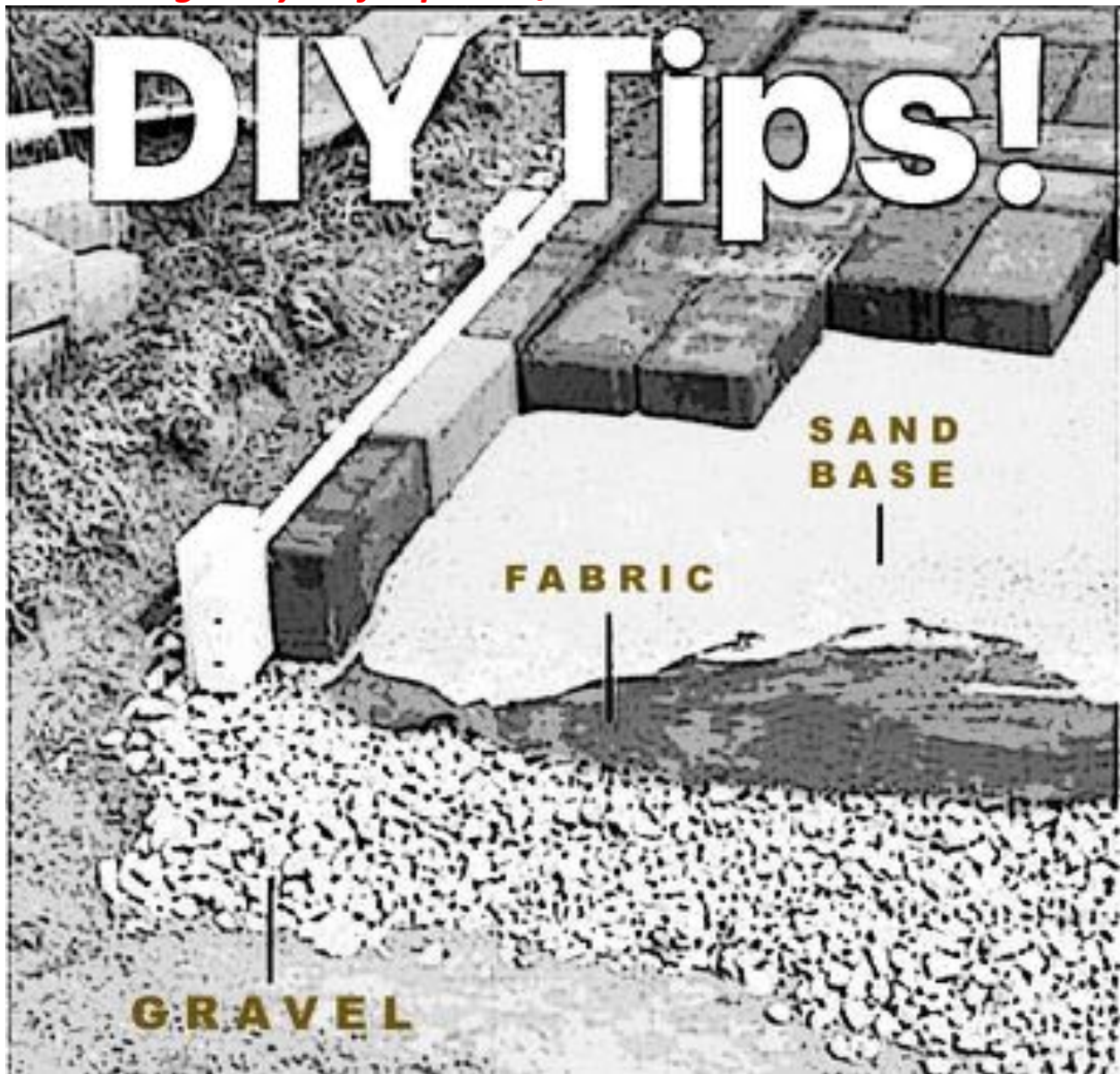


**USE MUFFIN PANS FOR MISC  
SCREW STORAGE.**

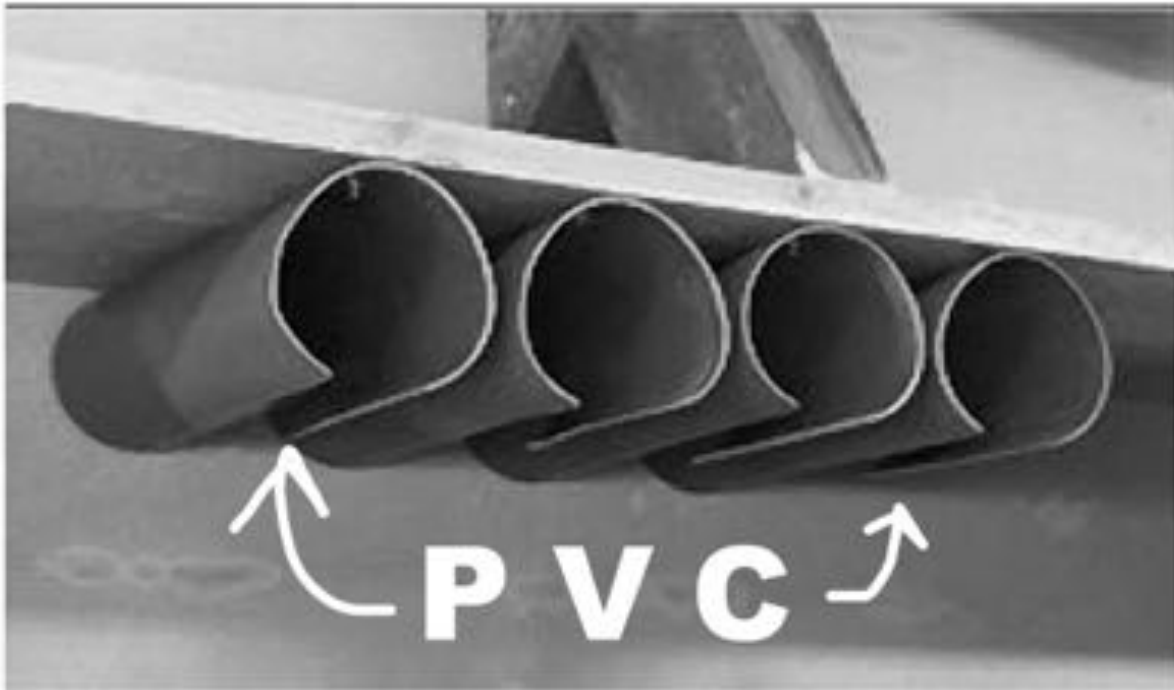
*Make use of old paint brushes*



*Use the right layers for pavers/brick*



*Get your drills off of the bench*



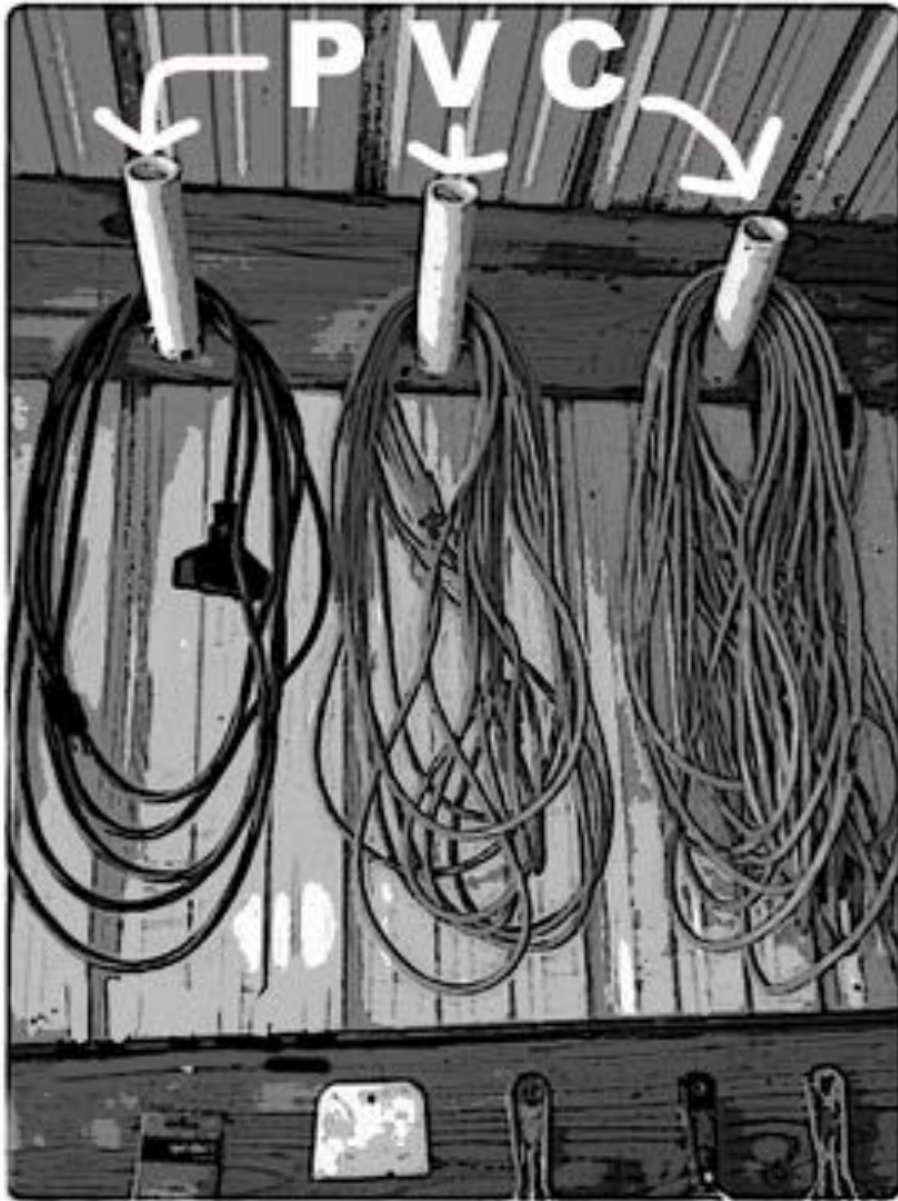
**CORDLESS DRILL HOLDER**



*Hang caulk and misc jars on the wall*



*Make use of old pvc pipe*



**Turn a saw horse into a staging table**



*Prime your screws for hard wood*



**WHEN YOU CAN'T GET SCREWS INTO  
HARD WOOD? SOAP UP THE SCREW  
THREADS WITH AN OLD BAR OF  
SOAP.**

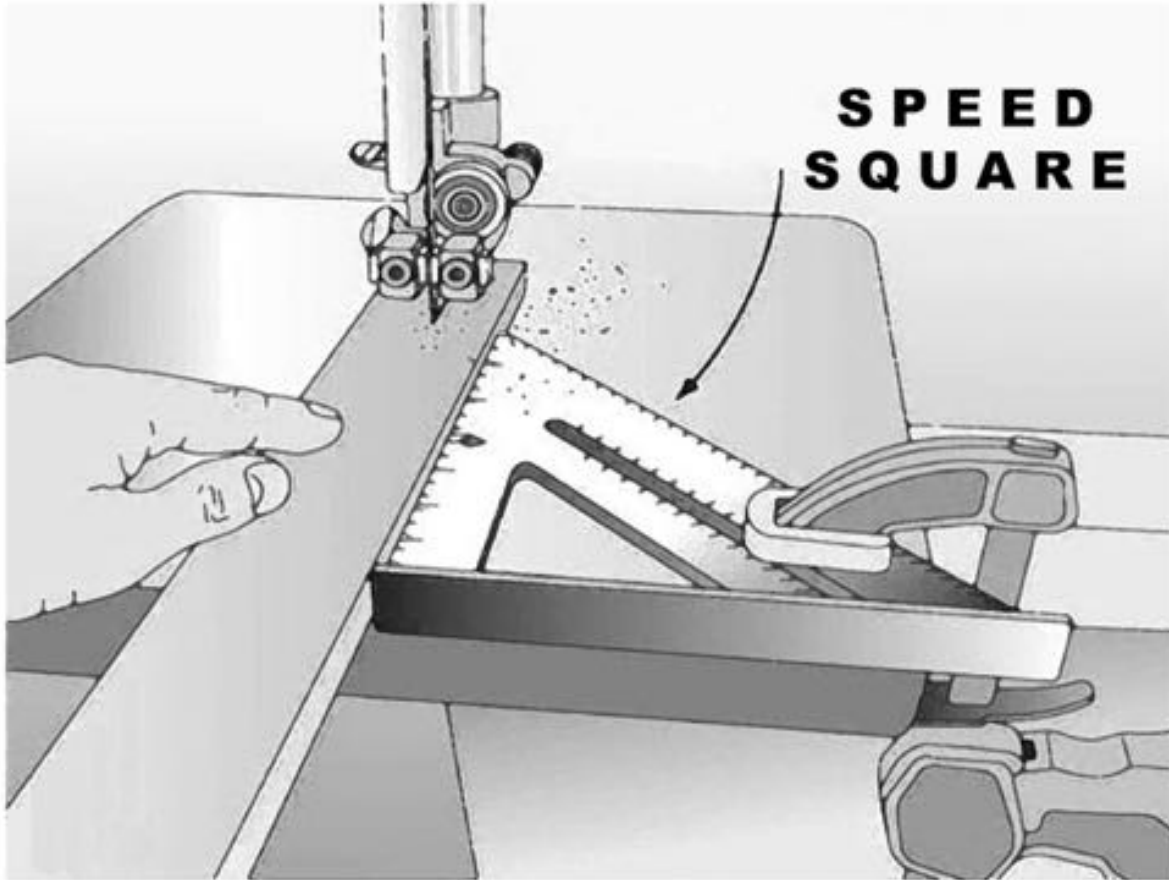


*Cheap and easier yard lights*



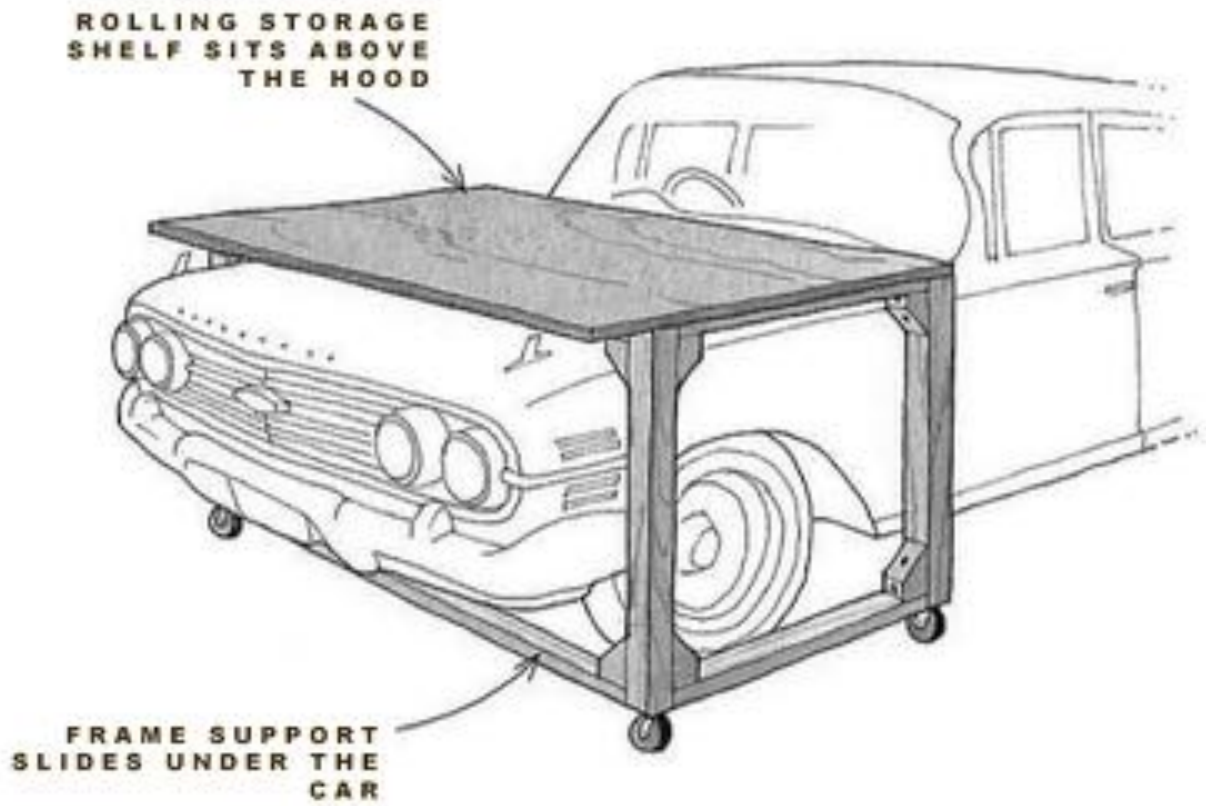
**NEED YARD LIGHTS? FASTEN SOLAR  
LIGHTS TO YOUR FENCE POSTS**

*Get clean and straight cuts every time*



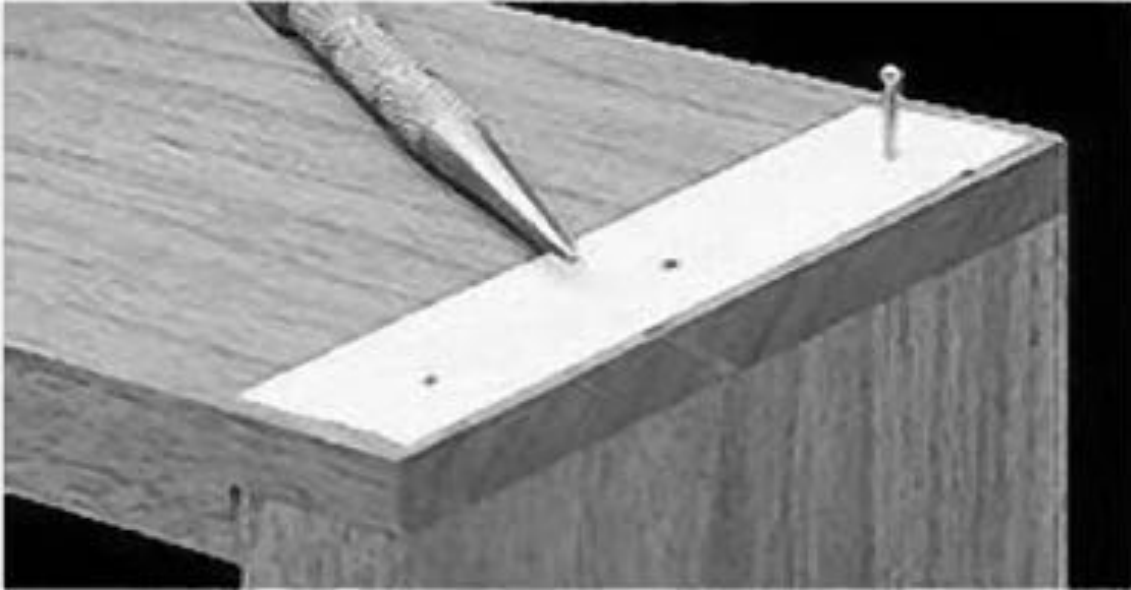
**USE A CLAMP AND A SPEED SQUARE  
TO GET A CLEAN & STRAIGHT CUT.**

**Create some extra storage space in your car garage**



*Get a cleaner look on nail heads*

**PLACE TAPE OVER THE AREA YOU  
ARE GOING TO NAIL.**



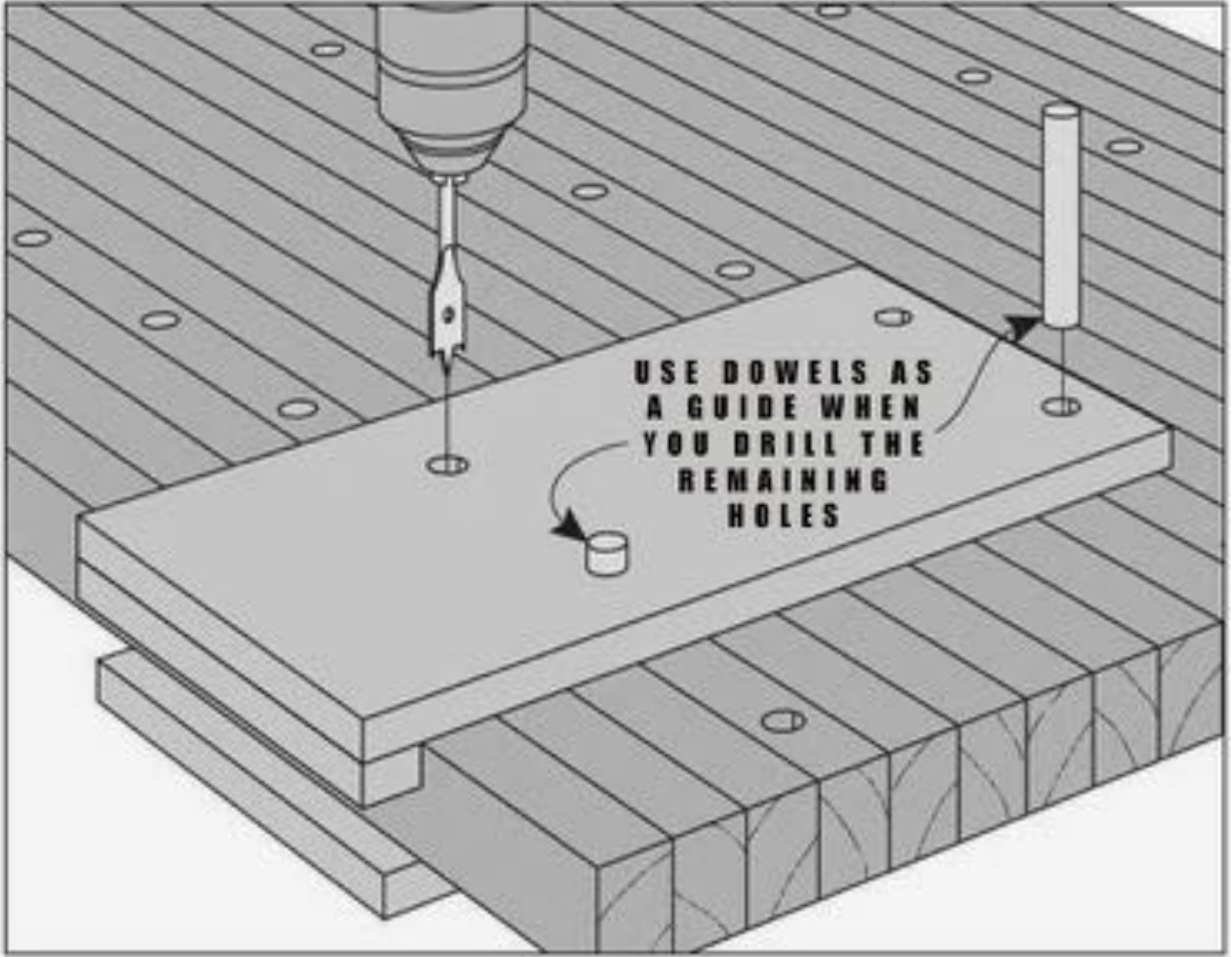
**AFTER YOU APPLY THE PUDDY  
OVER THE HEAD OF THE NAIL,  
THEN REMOVE THE TAPE.**



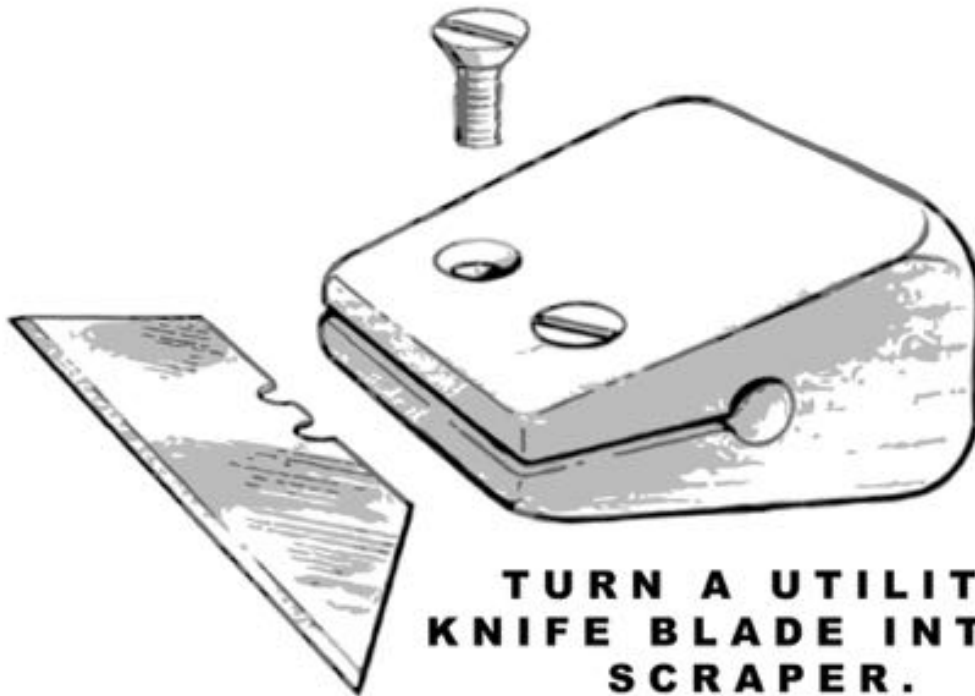
*Don't worry about left over glue*



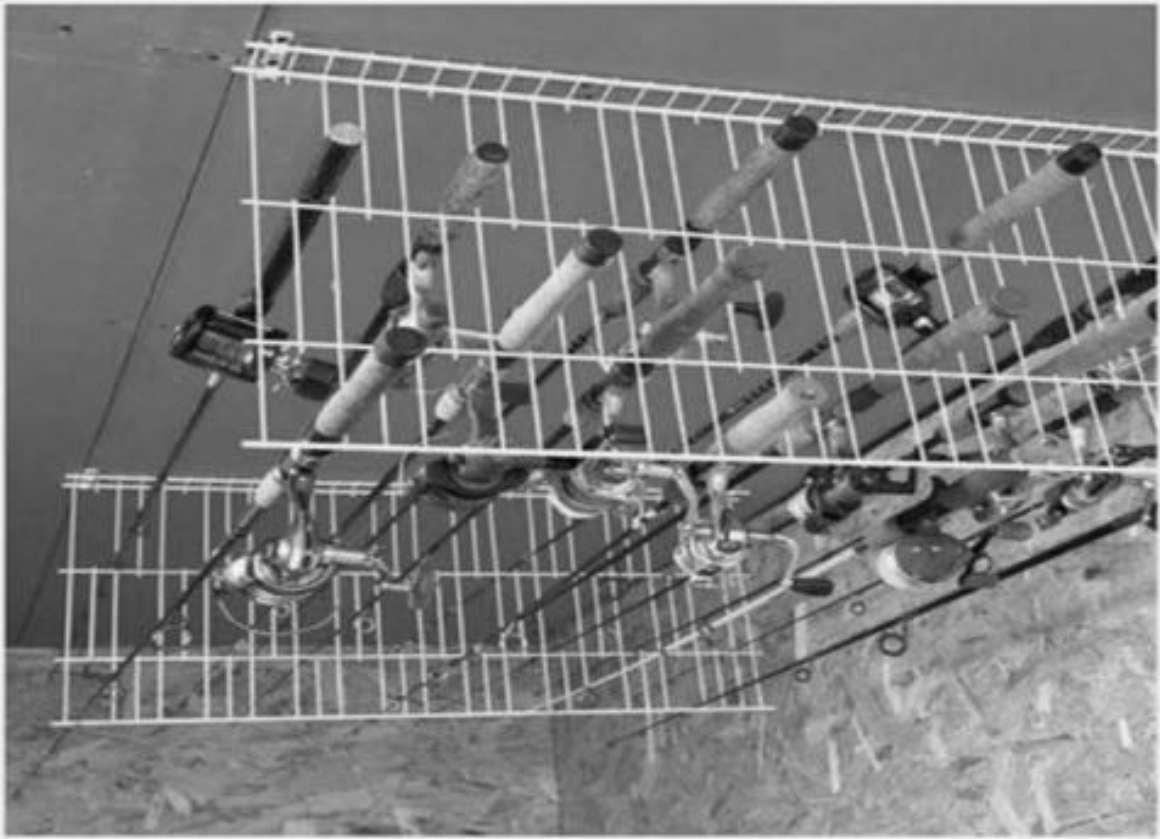
*Aline your drill holes better*



*Create your own DIY scraper*



*Cheap/easy DIY for holding fishing poles*



**USE WIRE SHELVING FOR FISHING  
ROD HOLDERS.**